



PREMIUM PRESSURE WASHER

JDCM-170

PARTS MANUAL

USES JD168 5.5 HP ENGINE



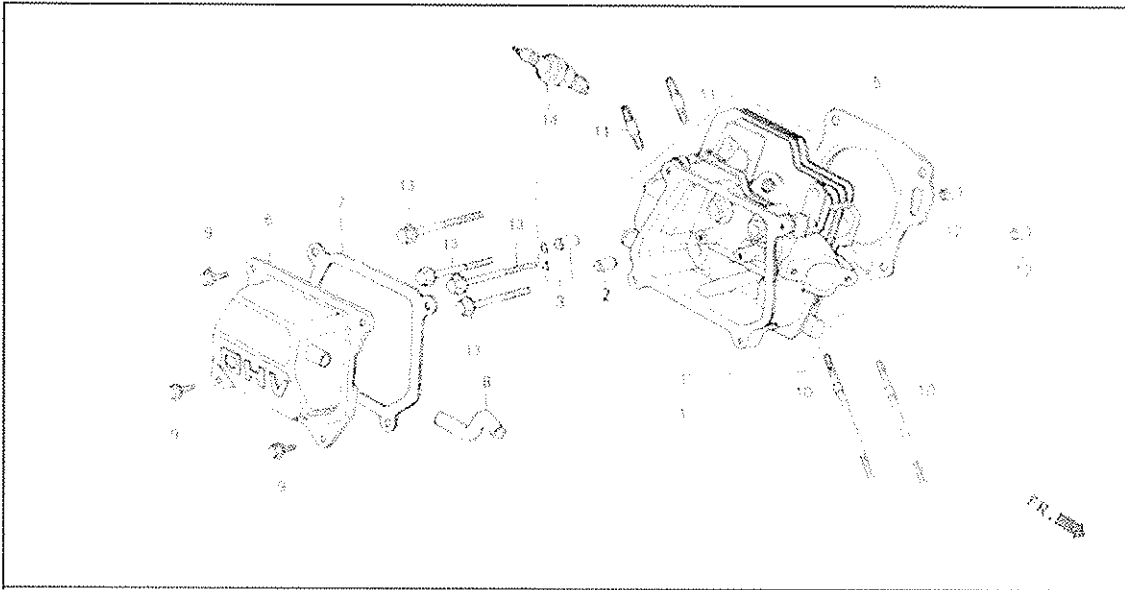
Red Hawk Equipment L.L.C.

2625 International St, Columbus, OH 43228

September 6, 2006

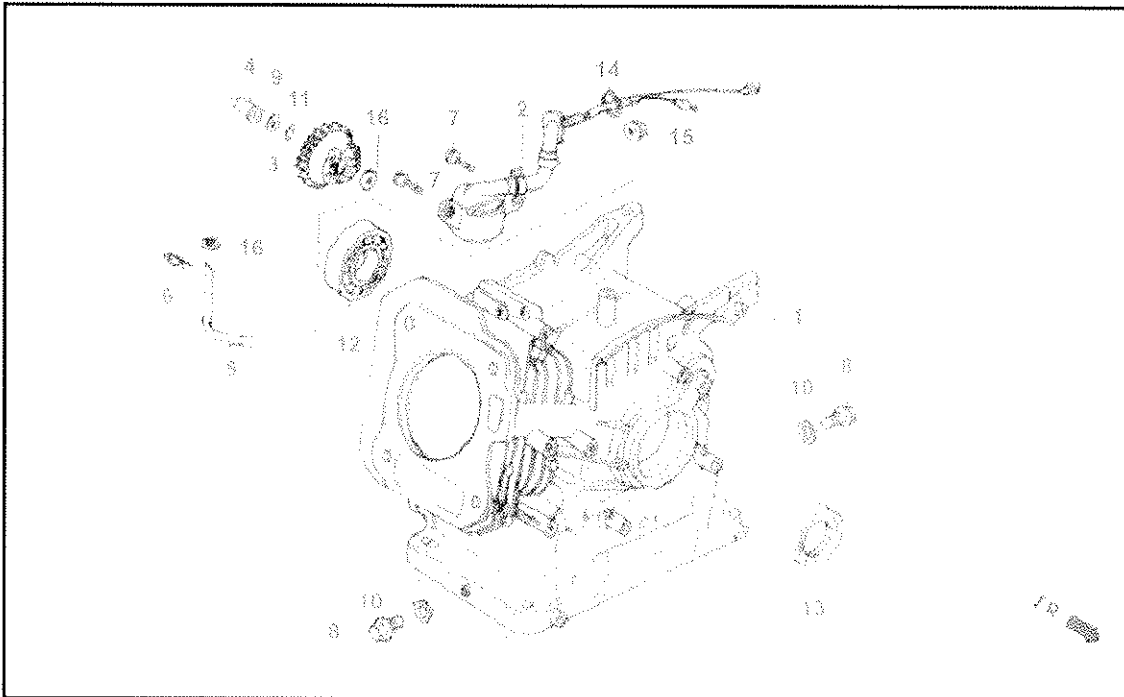
© Copy Right 2005, 2006 All Pages, Pictures, Words Havener Enterprises Inc.

Cylinder Head System Assembly



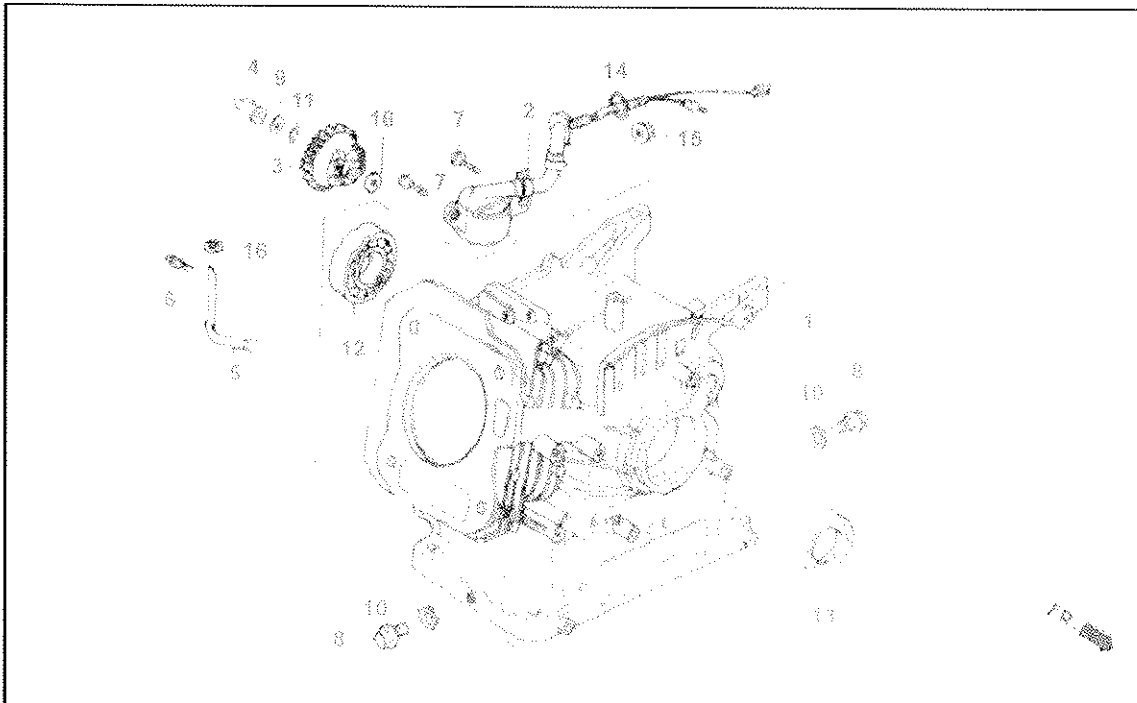
SN	DESCRIPTION	CODE NO.		QTY/UNIT		PART NUMBER	
		JF168	JF200	JF168	JF200	JF168	JF200
1	Cylinder Head Comp	JF168.1-1	JF200.1-1	1	1	750264	750138
2	In. Valve Guide	JF168.1.2-5A		1	1	750315	750315
3	Valve Guide	JF168.1.2-5B		1	1	750316	750316
4	Valve Guide Clip	JF168.1.2-6		2	2	750317	750317
5	Cylinder Head Gasket	JF168.2-3	JF200.2-3	1	1	750265	750145
6	Head Cover Comp	JF168.1.1.1		1	1	750062	750062
7	Head Cover Packing	JF168.1.1-3		1	1	750064	750064
8	Breather Tube	JF168.1.1-2		1	1	750063	750063
9	Flange Bolt 6x12	GB5780-86		4	4	750008	750008
10	Stud Bolt 6x109	JF168.1-2		2	2	750073	750073
11	Stud Bolt 8x32	GB5780-86-1		2	2	750258	750258
12	Dowel Pin 10x16	JF168.2-5		2	2	750097	750097
13	Flange Bolt 8x60	JF168.2-4		4	4	750096	750096
14	Spark Plug (NGK)	JF168.10-1		1	1	750067	750067

Cylinder Barrel



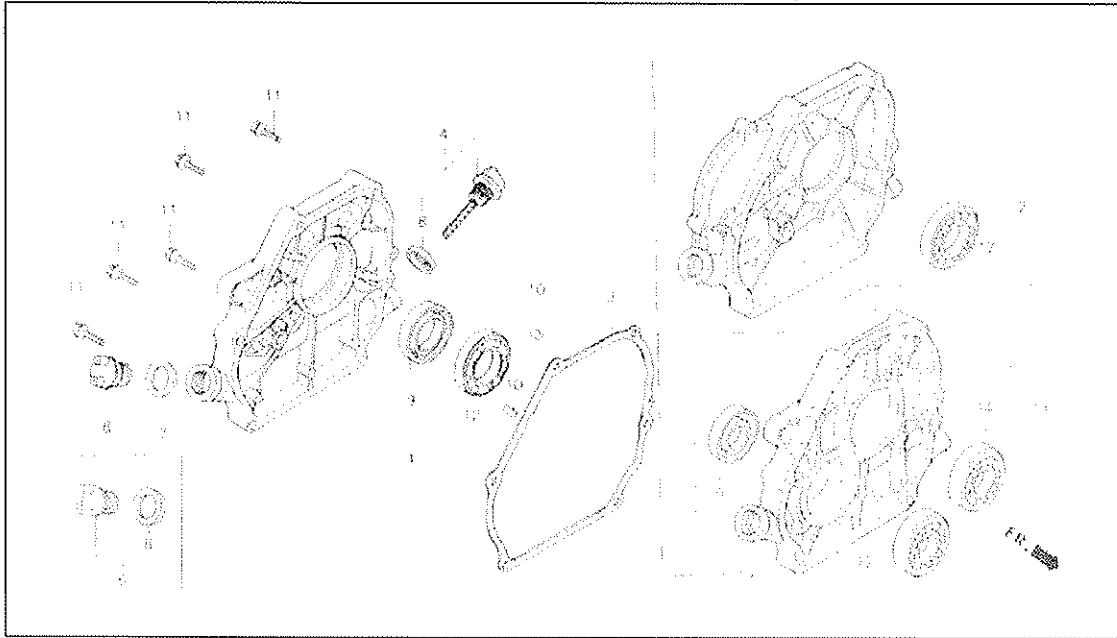
SN	DESCRIPTION	CODE NO.		QTY/UNIT		PART NUMBER	
		JF168	JF200	JF168	JF200	JF168	JF200
1	Cylinder Assembly	JF168.2	JF200.2	1	1	750267	750142
2	Oil Level Switch Assy.	JF168.14		1	1	750105	750105
3	Governor Assy.	JF168.11.1		1	1	750069	750069
4	Governor Slider	JF168.11.1-7		1	1	750071	750071
5	Governor Arm Shaft	JF168.11.2-1		1	1	750072	750072
6	Lock Pin 8mm	JF168.11.2-2		1	1	750322	750322
7	Flange Bolt 6x20	GB5780-86-3		2	2	750259	750259
8	Drain Plug Bolt	JF168.2-6		2	2	750098	750098
9	Thrust Washer 6mm	JF168.11.1-5		1	1	750319	750319
10	Drain Plug Washer 10.2mm	GB95-85		2	2	750014	750014
11	Governor Holder Clip	JF168.11.1-8		1	1	750320	750320

Cylinder Barrel



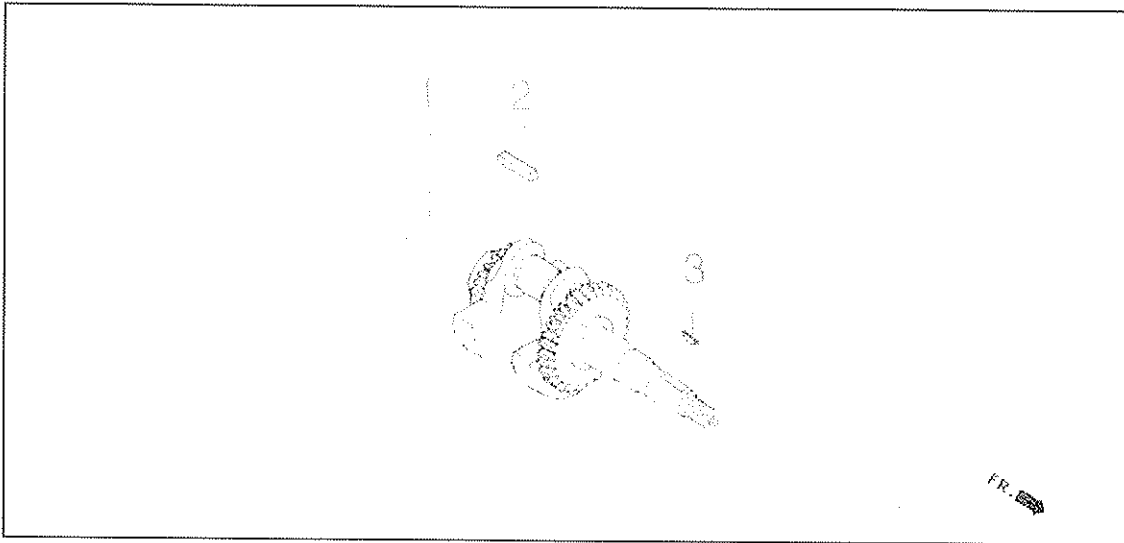
SN	DESCRIPTION	CODE NO.		QTY/UNIT		PART NUMBER
		JF168	JF200	JF168	JF200	
12	Radial Ball Bearing(6205) (TPI)	GB276-89		2	1	750001
13	Oil Seal 25x41.25x6	GB13817-92		2	1	750006
14	O-Ring 14mm	JF168.14.2-10		1	1	750340
15	Flange Nut 10mm	GBT6177-86		1	1	750004
16	Washer Plain 6mm	JF168.11.1-6		1	1	750070

Crankcase Cover System Assembly



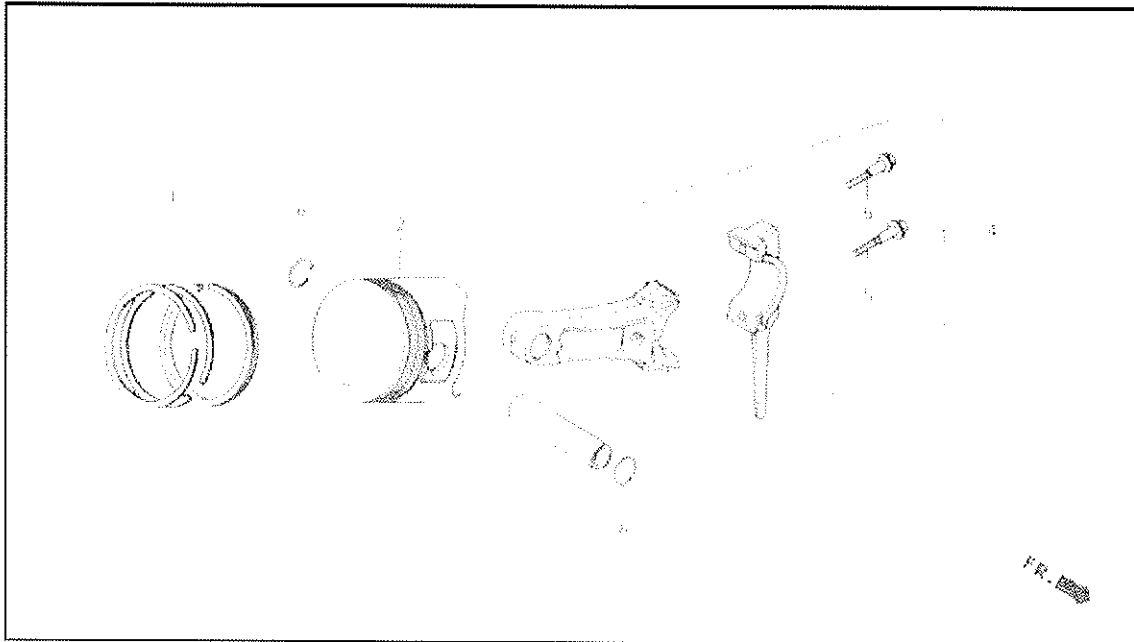
SN	DESCRIPTION	CODE NO.		QTY/UNIT		PART NUMBER
		JF168	JF200	JF168	JF200	
1	Crankcase Cover Assembly	JF168.15-1A		1	1	750085
2	Crankcase Cover Assembly	JF168.15-1B		1	1	750231
3	Packing, Case Cover	JF168.15-2		1	1	750234
4	Oil Filler Cap Assembly	JF168.15-3		1	1	750086
5	Oil Filler Cap Assembly	JF168.15-5A		1	1	750341
6	Oil Filler Cap Assembly	JF168.15-5B		1	1	750342
7	Oil Filler Cap Gasket	JF168.15-6A		1	1	750087
8	Oil Filler Cap Gasket	JF168.15-6B		2	2	750343
9	Oil Seal, 25x41.25x6	GB13817-92		1	1	750006
10	Dowel Pin 8x14	JF168.15-4		2	2	750233
11	Flange Bolt 8x32	GB5780-86-1		6	6	750258
12	Radial Ball Bearing 6205	GB276-89		1	1	750001
13	Crankcase Cover Assembly,	JF168.15-1C		1	1	750232
14	Radial Ball Bearing 6205	GB276-89		1	1	750007

Crankshaft System Assembly



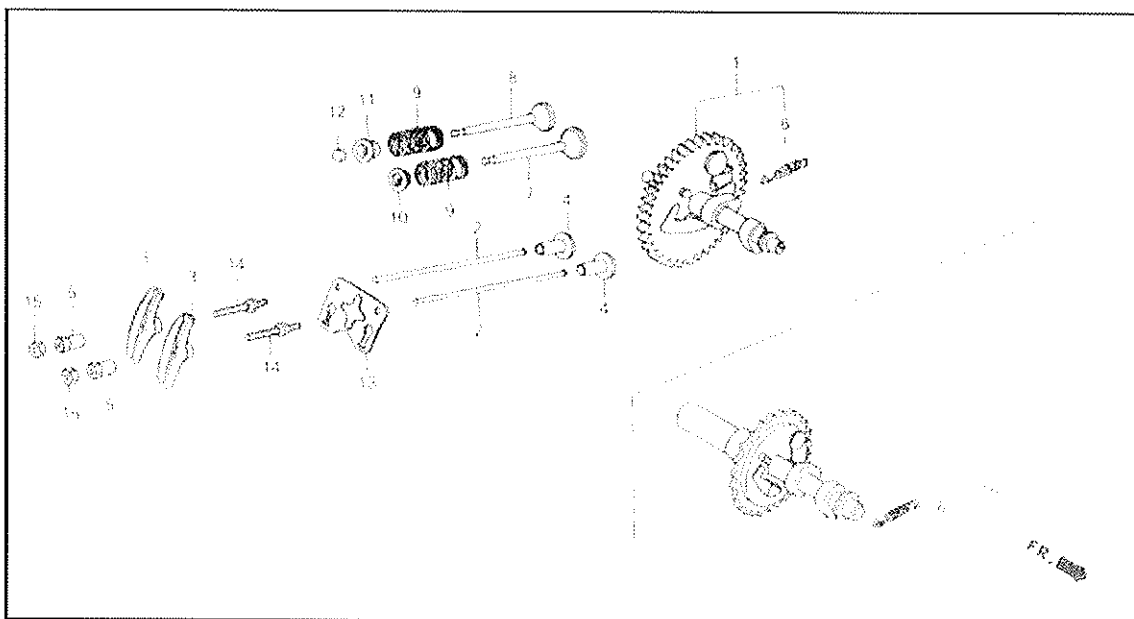
SN	DESCRIPTION	CODE NO.		QTY/UNIT		PART NUMBER	
		JF168	JF200	JF168	JF200	JF168	JF200
1	Crankshaft Comp	JF168.4	JF200.4	1	1	750345	750235
2	Key 5x5x30	GB1096-79		1	1	750236	750236
3	Special Woodruff Key	JF168.4.2-2		1	1	750237	750237

Piston System Assembly



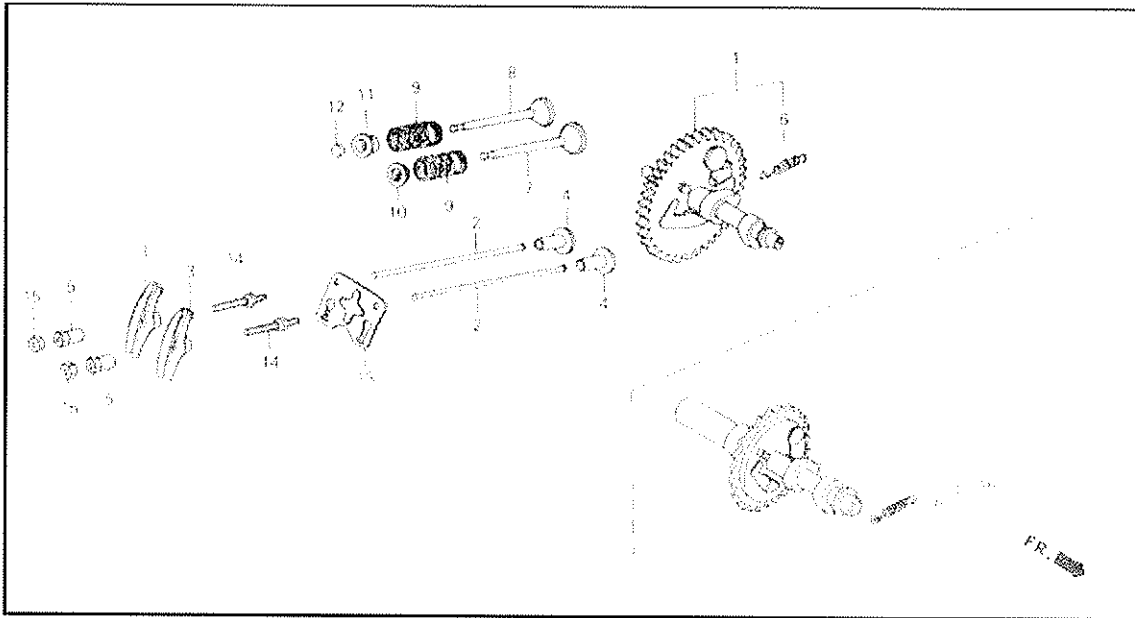
SN	DESCRIPTION	CODE NO.		QTY/UNIT		PART NUMBER	
		JF168	JF200	JF168	JF200	JF168	JF200
1	Piston Ring Set	JF168.3-1		1	1	750101	750101
2	Piston	JF168.3-5	JF200.3-5	1	1	750344	750238
3	Piston Pin	JF168.3-4		1	1	750102	750102
4	Connecting Rod Assy.	JF168.3-6		1	1	750103	750103
5	Connection Rod Bolt	JF168.3-8		2	2	750239	750239
6	Piston Pin Clip 18mm	JF168.3-9		2	2	750104	750104

Camshaft System Assembly



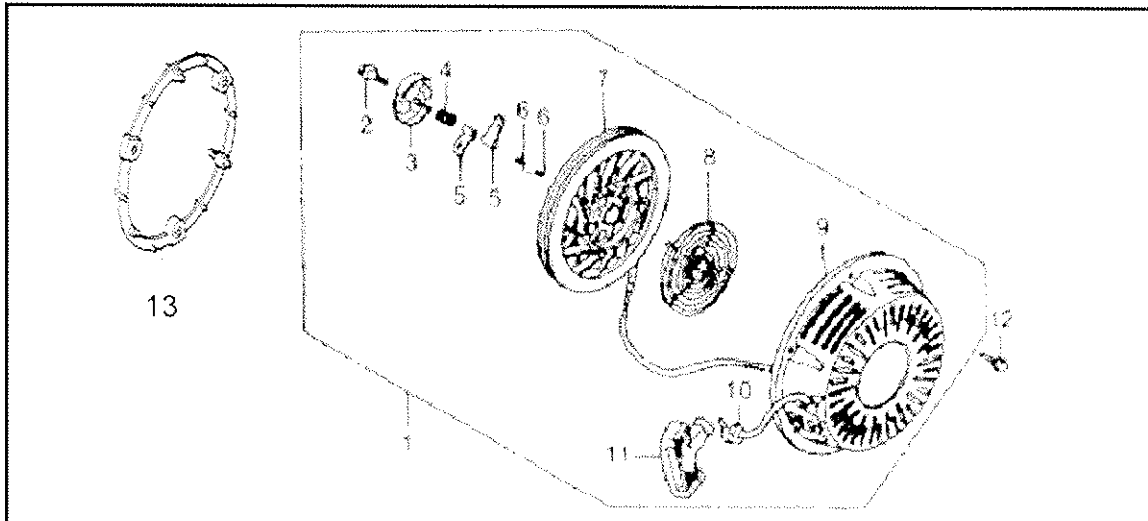
SN	DESCRIPTION	CODE NO.		QTY/UNIT		PART NUMBER	
		JF168	JF200	JF168	JF200	JF168	JF200
1	Camshaft Assy.	JF200.5-1A	JF168.5-1A	1	1	750147	750085
2	Push Rod	JF168.2-14	JF200.2-14	2	2	750268	750143
3	Valve Rocker Arm	JF168.1.2-9		2	2	750318	750318
4	Valve Lifter	JF168.1.2-15	JF200.1.2-15	2	2	750313	750375
5	Rocker Arm Pivot	JF168.1.2-8		2	2	750241	750241
6	Weight Return Spring	JF168.5-5		1	1	750242	750242
7	In Valve	JF168.1.2-3		1	1	750243	750243
8	Ex Valve	JF168.1.2-4		1	1	750065	750065
9	Valve Spring	JF168.1.2-10		2	2	750089	750089
10	In. Valve Spring Ret	JF168.1.2-1		1	1	750311	750311

Camshaft System Assembly



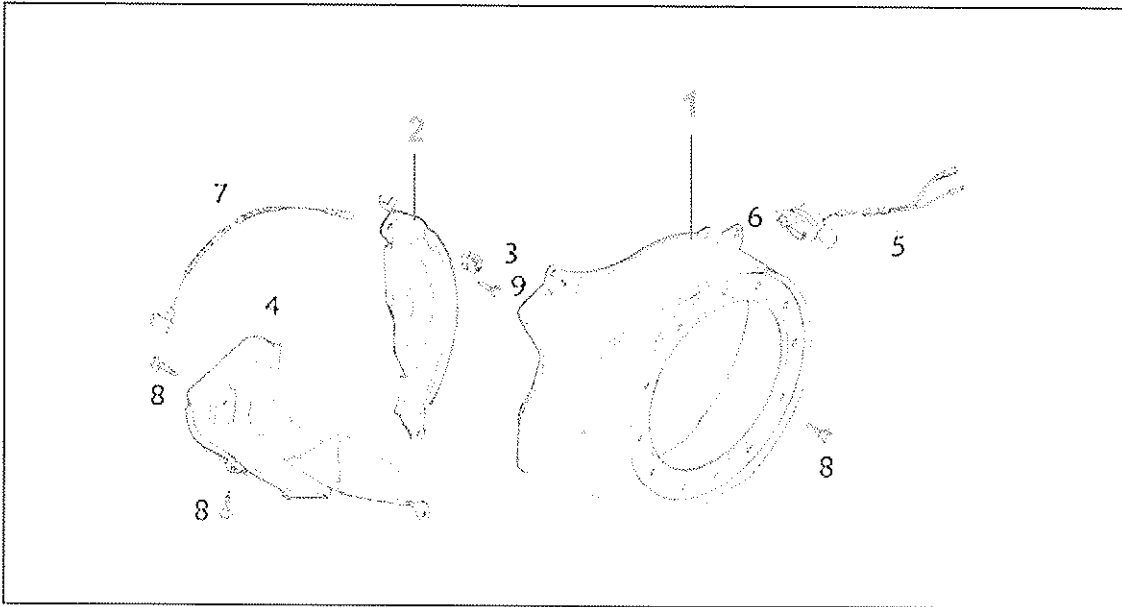
SN	DESCRIPTION	CODE NO.		QTY/UNIT		PART NUMBER	
		JF168	JF200	JF168	JF200	JF168	JF200
11	Ex. Valve Spring Retainer	JF168.1.2-2		1	1	750314	750314
12	Valve Rotator	JF168.1.2-13		1	1	750312	750312
13	Push Rod Guide Plate	JF168.1.2-16	JF200.1.2-16	1	1	750144	750144
14	Pivot Bolt (8mm)	JF168.1.2-7		2	2	750100	750100
15	Pivot Adjusting Nut	JF168.1.2-17		2	2	750093	750093
16	Camshaft Assy.	JF168.5-1B	JF200.5-1B	1	1	750348	750376

Recoil Starter



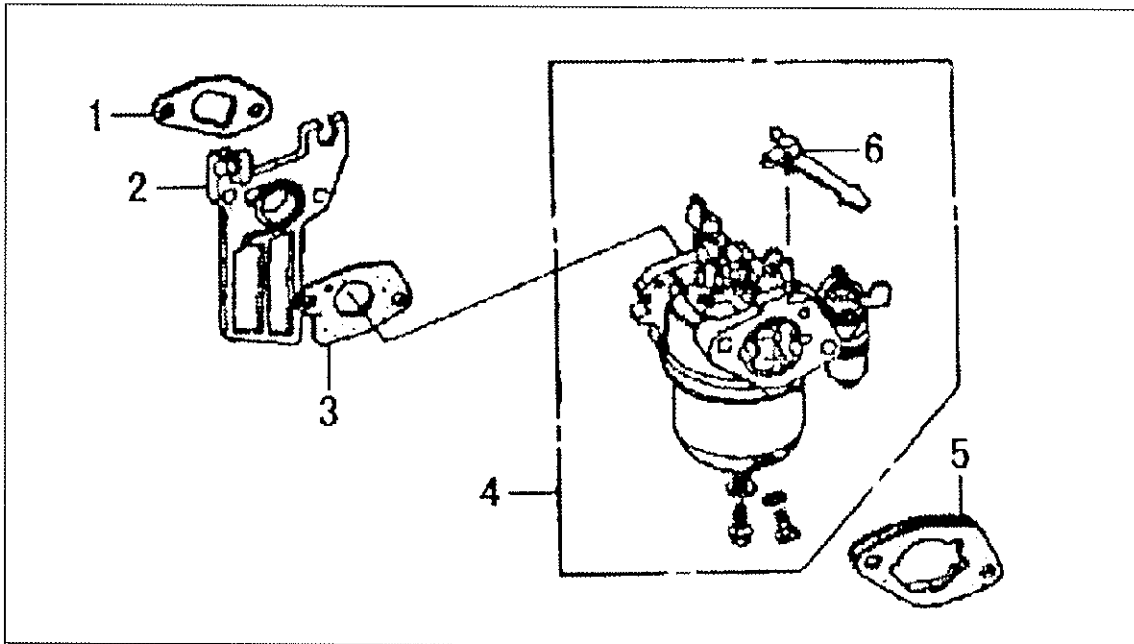
SN	DESCRIPTION	CODE NO.		QTY/UNIT		PART NUMBER
		JF168	JF200	JF168	JF200	
1	Recoil Starter Assy.	JF168.13		1	1	750077
2	Setting Screw	JF168.13-7		1	1	750245
3	Ratchet Guide	JF168.13-6		1	1	750083
4	Spring Friction	JF168.13-8		1	1	750246
5	Starter Ratchet	JF168.13-5		2	2	750082
6	Ratchet Spring	JF168.13-4		2	2	750081
7	Recoil Starter Reel	JF168.13-3		1	1	750080
8	Recoil Starter Spring	JF168.13-10		1	1	750247
9	Recoil Starter Case Comp	JF168.13.1		1	1	750248
10	Recoil Starter Rope	JF168.13-2		1	1	750079
11	Recoil Starter Knob	JF168.13-1		1	1	750078
12	Flange Bolt 6x8	GB5780-86-7		3	3	750263
13	Recoil Starter Spacer	JF200.13.2-1		0	1	750249

Fan Cover System Assembly



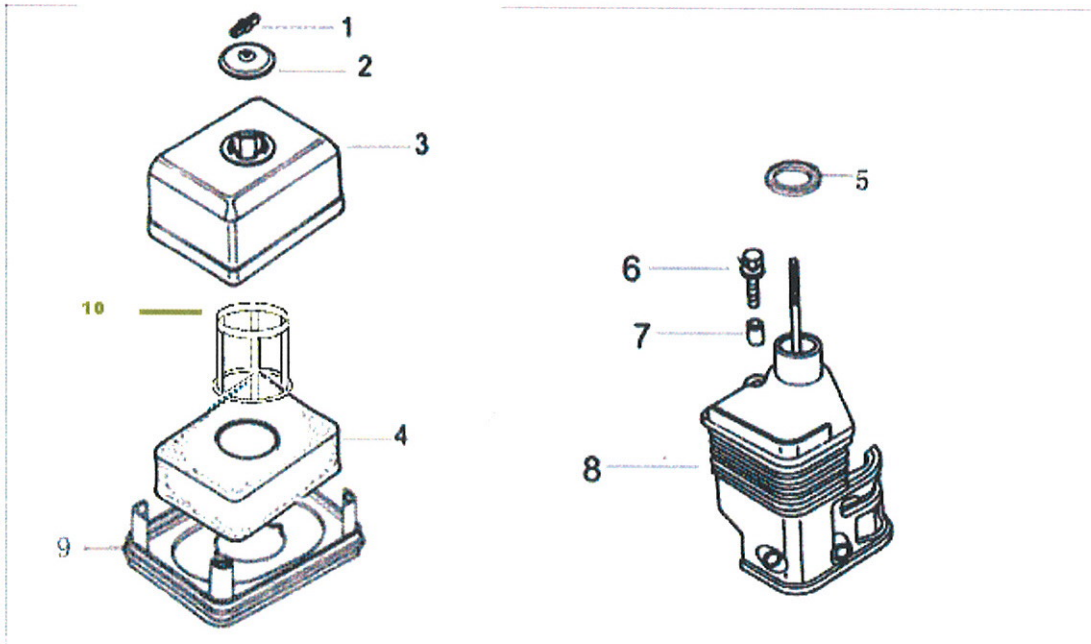
SN	DESCRIPTION	CODE NO.		QTY/UNIT		PART NUMBER	
		JF168	JF200	JF168	JF200	JF168	JF200
1	Fan Cover Comp	JF168.13-11	JF200.13-11	1	1	750269	750139
2	Side Plate	JF168.12.1-1		1	1	750250	750250
3	Cord Clamper	JF168.12.1-2		1	1	750338	750338
4	Shroud Comp	JF168.12.-2		1	1	750251	750251
5	Sub-Harness	JF168.10.3		1	1	750252	750252
6	Engine Stop Switch Assembly	JF168.10.1		1	1	750066	750066
7	Stop Switch Wire	JF168.10.2-2		1	1	750253	750253
8	Flange Bolt 6x12	GB5780-86		6	6	750008	750008
9	Flange Bolt 6x16	GB5780-86-4		1	1	750260	750260

Carburetor System Assembly



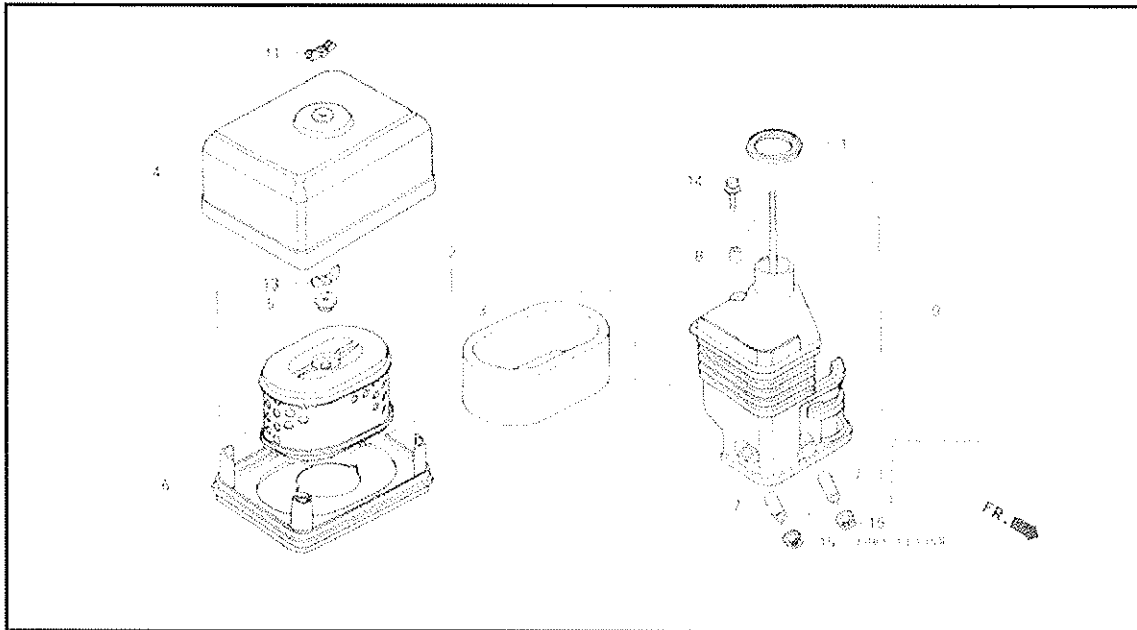
SN	DESCRIPTION	CODE NO.		QTY/UNIT		PART NUMBER	
		JF168	JF200	JF168	JF200	JF168	JF200
1	Insulator Gasket	JF168.1.1-4		1	1	750065	750065
2	Carburetor Insulator	JF168.9-1	JF200.9-1	1	1	750271	750148
3	Carburetor Gasket	JF168.9-2		1	1	750133	750133
4	Carburetor	JF168.9-3	JF200.9-3	1	1	750270	750149
5	Carburetor Spacer Comp	JF168.6-9		1	1	750255	750255
6	Choke Lever Comp	JF168.9-4		1	1	750373	750373

Air Cleaner (JF168.6.3)



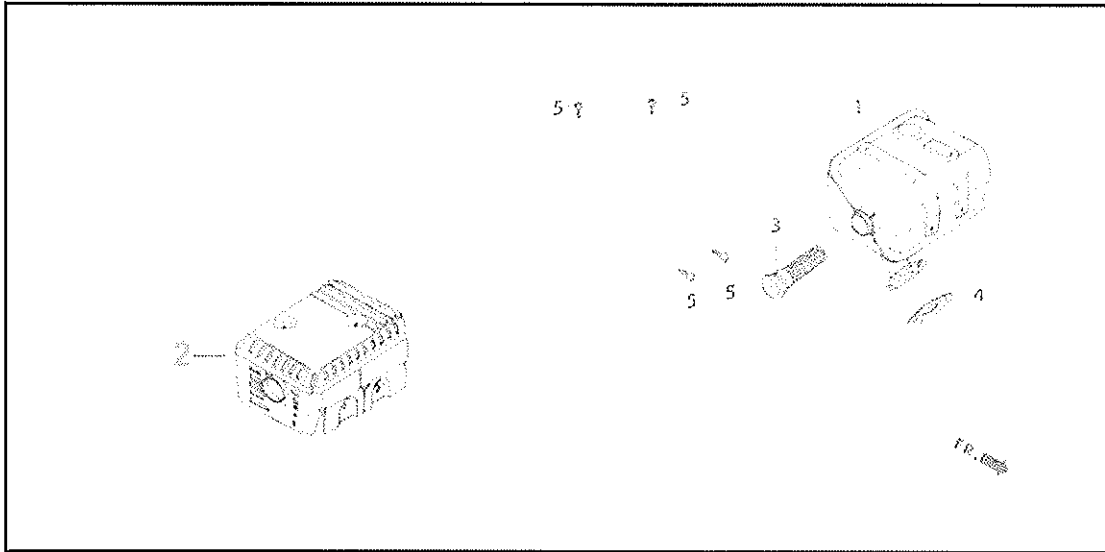
SN	DESCRIPTION	CODE NO.		QTY/UNIT		PART NUMBER
		JF168	JF200	JF168	JF200	
1	Air Cleaner Cover Wing Nut	JF168.6-1		1	1	750355
2	Air Cleaner Grommet	JF168.6.3-1		1	1	750351
3	Air Cleaner Cover	JF168.6.3-2		1	1	750352
4	Outer Filter	JF168.6.3-3		1	1	750353
5	Elbow Gasket	JF168.6.3-4		1	1	750354
6	Bolt-Washer 6x20	GB5780-86-3		1	1	750259
7	Air Cleaner Collar B	JF168.6-11		1	1	750358
8	Air Cleaner Elbow Comp	JF168.6-8		1	1	750275
9	Silencer Noises	JF168.6-5		1	1	750273
10	Bracket	JF168.6-10		1	1	760008

Air Cleaner (JF168.6.1)



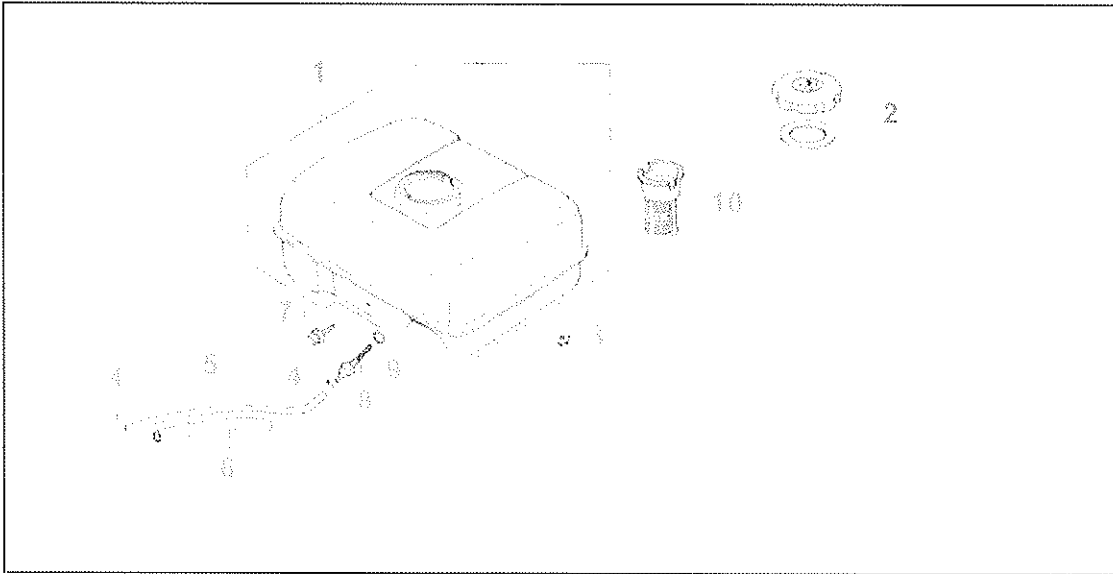
SN	DESCRIPTION	CODE NO.		QTY/UNIT		PART NUMBER
		JF168	JF200	JF168	JF200	JF200
1	Elbow Gasket	JF168.6-6		1	1	750274
2	Air Cleaner Element	JF168.6.1		1	1	750349
3	Outer Filter	JF168.6-4		1	1	750272
4	Air Cleaner Cover	JF168.6-3		1	1	750362
5	Air Cleaner Grommet	JF168.6.1-7		1	1	750350
6	Silencer Noise	JF168.6-5		1	1	750273
7	Air Cleaner Collar	JF168.6-12		2	2	750361
8	Air Cleaner Collar B	JF168.6-11		1	1	750358
9	Air Cleaner Elbow Comp	JF168.6-8		1	1	750275
11	Air Cleaner Cover Wing Nut	JF168.6-1		1	1	750355
13	Tool Box Setting Wing Nut	JF168.6-1		1	1	750355
14	Bolt-Washer 6x20	GB5780-86-3		1	1	750259
15	Flange Nut 6mm	GB6177-86-1		2	2	750095

Muffler



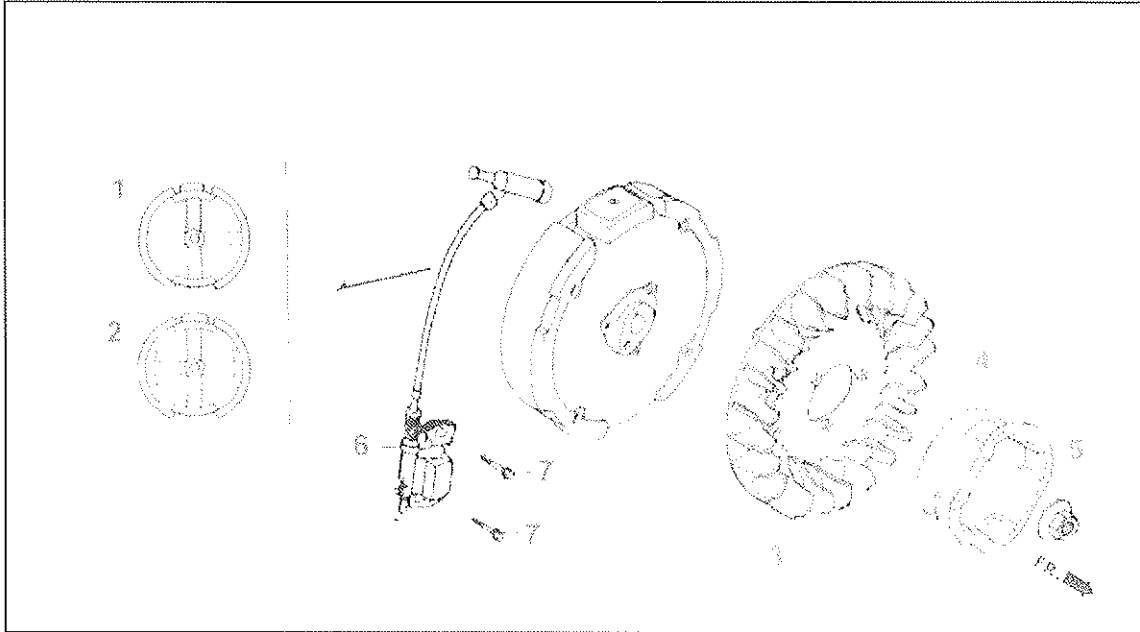
SN	DESCRIPTION	CODE NO.		QTY/UNIT		PART NUMBER
		JF168	JF200	JF168	JF200	
1	Muffler Comp	JF168.7.6		1	1	750276
2	Muffler Outer Protect	JF168.7.2-3		1	1	750367
3	Spark Arrester	JF168.7.2		1	1	750366
4	Muffler Gasket	JF168.7-9		1	1	750266
5	Tapping Screw 5x8	Q235A(GB700-88)		4	4	750377

Fuel Tank System Assembly



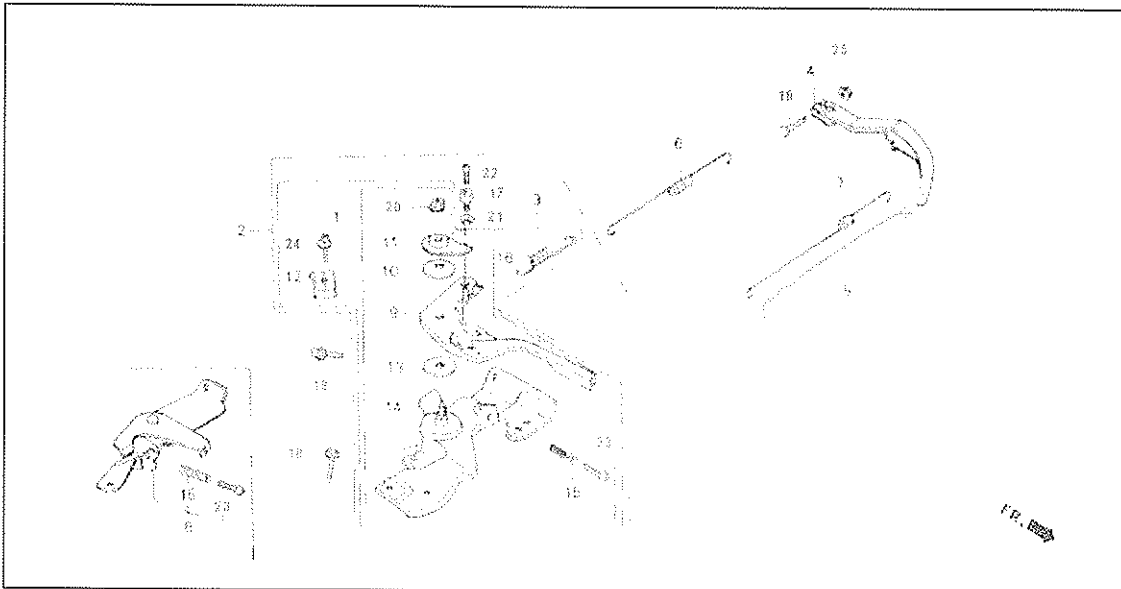
SN	DESCRIPTION	CODE NO.		QTY/UNIT		PART NUMBER
		JF168	JF200	JF168	JF200	
1	Fuel Tank Comp	JF168.8.2		1	1	750368
2	Fuel Filler Cap Comp	JF168.8.1		1	1	750121
3	Flange Nut 6mm	GB6177-86-1		2	2	750095
4	Tube Clip	JF168.8.3-4		1	1	750124
5	Bulk Hose Fuel	JF168.8.3-2		1	1	750371
6	Supporter Rubber	JF168.8.3-3		1	1	750123
7	Flange Bolt 6x25	GB5780-86-8		1	1	750075
8	Fuel Tank Joint	JF168.8.3.1		1	1	750369
9	O-Ring	JF168.8.3.1-3		1	1	750370
10	Fuel Filter	JF168.8.3-5		1	1	750372

Flywheel System Assembly



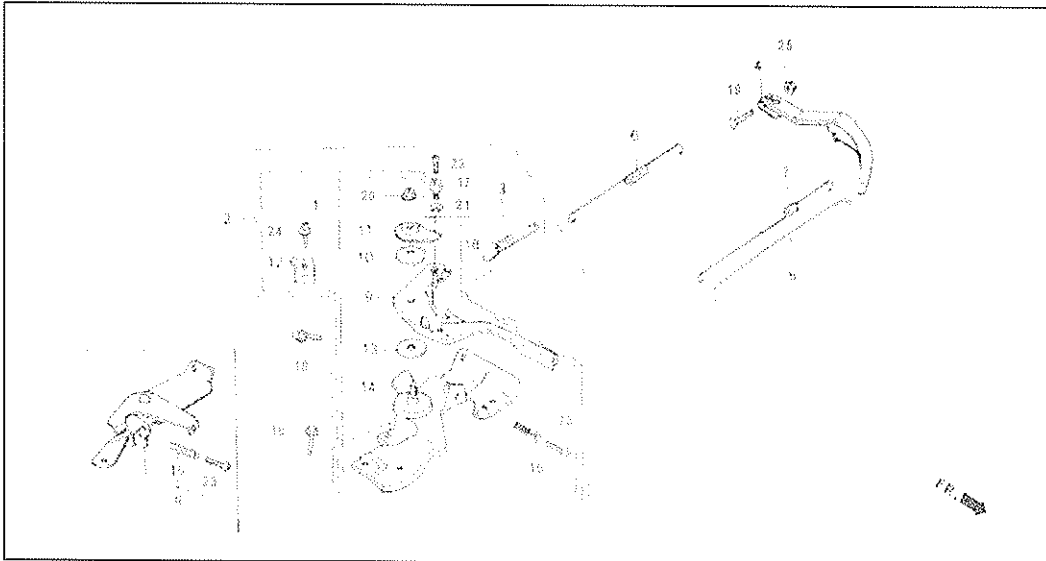
SN	DESCRIPTION	CODE NO.		QTY/UNIT		PART NUMBER
		JF168	JF200	JF168	JF200	
1	Flywheel Comp	JF168.4.1A		1	1	750346
2	Flywheel Comp	JF168.4.1B		1	1	760007
3	Cooling Fan	JF168.12-1		1	1	750278
4	Starter Pulley	JF168.13-9		1	1	750277
5	Special Nut	JF168.4-5		1	1	750347
6	Ignition Coil Assy.	JF168.10.2		2	2	750106
7	Flange Bolt 6x25	GB5780-86-8		2	2	750075

Control



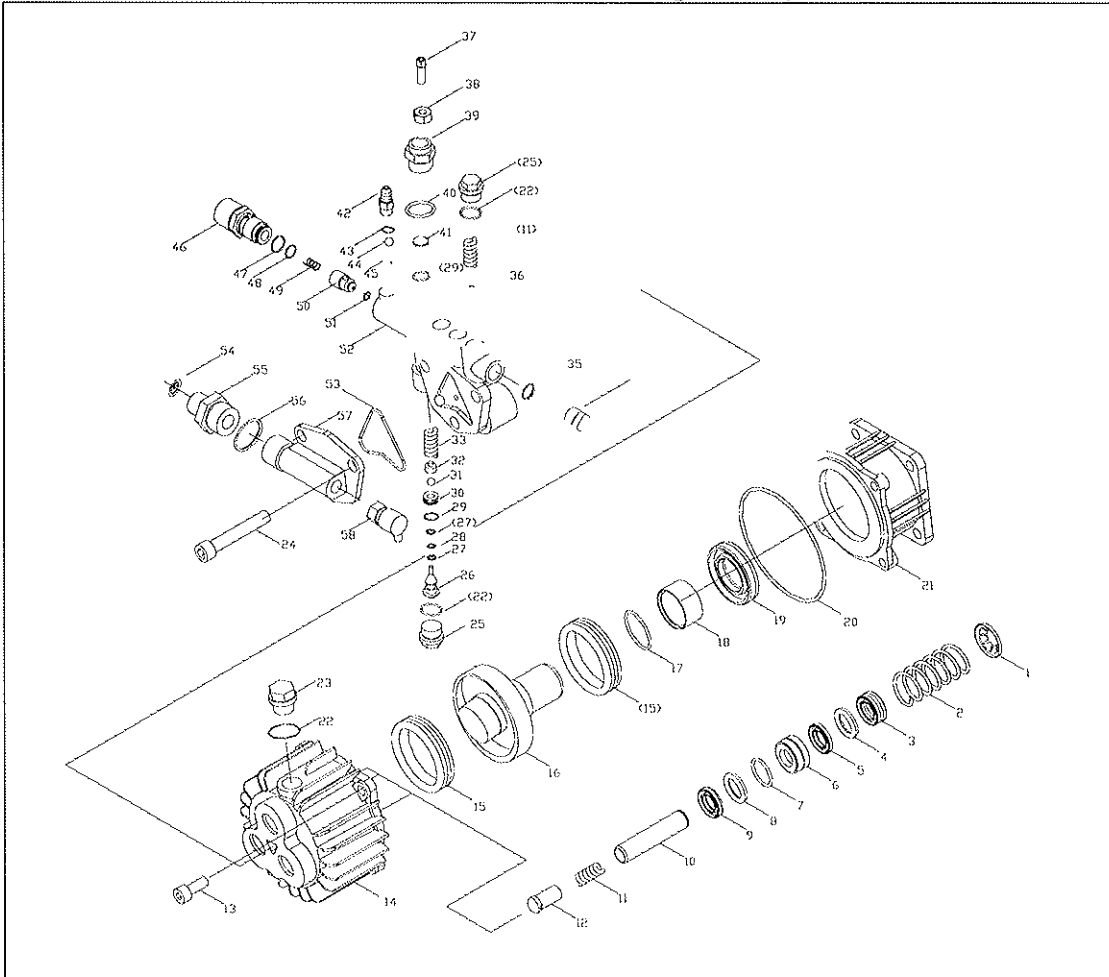
SN	DESCRIPTION	CODE NO.		QTY/UNIT		PART NUMBER
		JF168	JF200	JF168	JF200	
1	Control Assembly	JF168.11.4		1	1	750328
2	Control Assy.	JF168.11		1	1	750068
3	Control Assy.	JF168.11.2		1	1	750321
4	Governor Arm	JF168.11.2-4		1	1	750134
5	Governor Rod	JF168.11.2-7		1	1	750137
6	Governor Spring	JF168.11.2-5		1	1	750135
7	Throttle Return Spring	JF168.11.2-6		1	1	750136
8	Control Assy.	JF168.11.3		1	1	750326
9	Control Lever	JF168.11.4-2		1	1	750331
10	Lever Spring	JF168.11.4-5		1	1	750333
11	Control Lever Washer	JF168.11.4-6		1	1	750334
12	Cable Holder	JF168.11.4-8		1	1	750336
13	Control Lever Spacer	JF168.11.4-4		1	1	750332
14	Control Base Comp	JF168.11.4-1		1	1	750329

Control



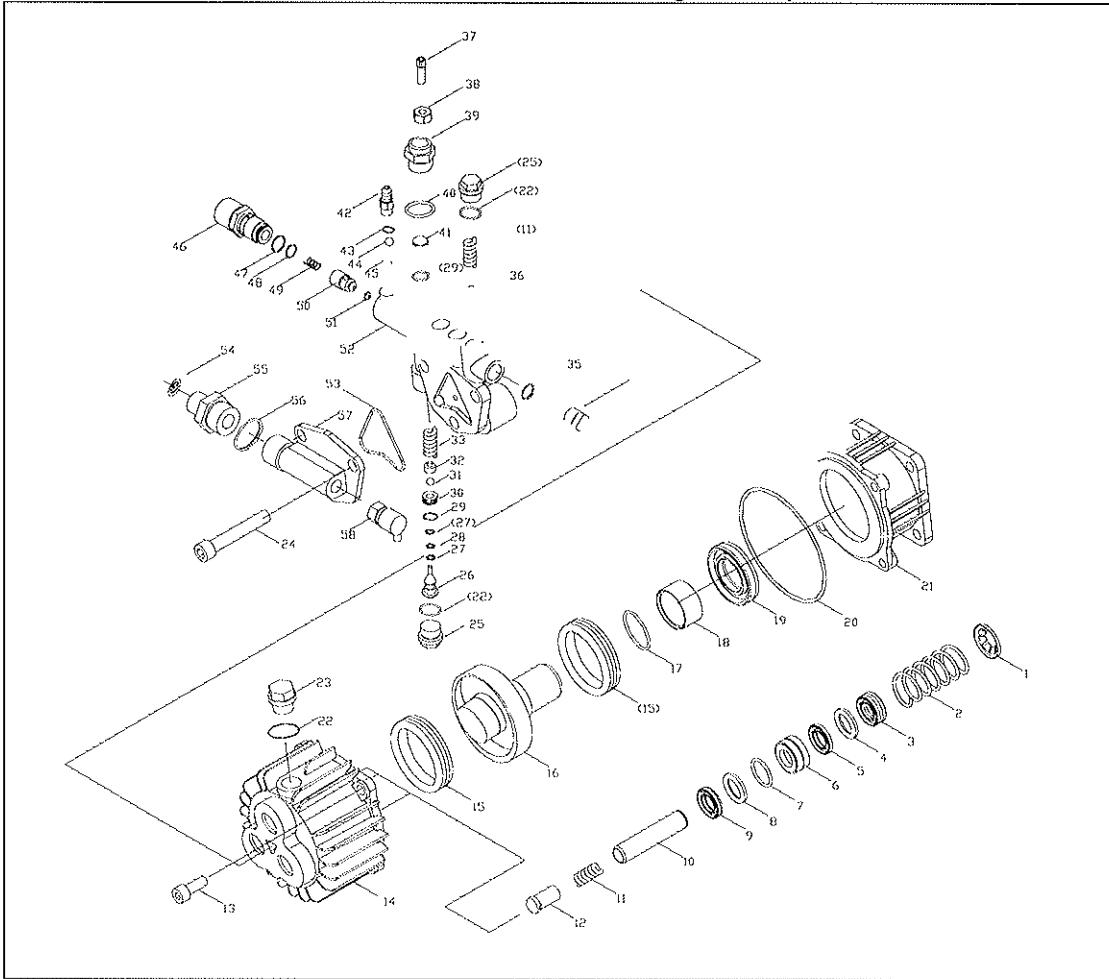
SN	DESCRIPTION	CODE NO.		QTY/UNIT		PART NUMBER
		JF168	JF200	JF168	JF200	
15	Control Adjusting Spring	JF168.11.3-3		1	1	750327
16	Cable Return Spring	JF168.11.4-7		1	1	750335
17	Wire Holder	JF168.11.4-9		1	1	750337
18	Flange Bolt 6x12	GB5780-86		2	2	750008
19	Governor Arm Bolt	JF168.11.2-3		1	1	750325
20	Self-Lock Nut (6mm)	GB6177-86-1		1	1	750095
21	Cir Clip (5mm)	JF168.11.2-3		1	1	750325
22	Pan Screw 4x6	GB6177-86-3		1	1	750120
23	Pan Screw 5x25	GB818-85-1		1	1	750286
24	Pan Screw 5x16	GB818-85-2		1	1	750287
25	Flange Nut (6mm)	JF168.11.4-11		1	1	750330

JDPW24/2.2 Three-Plunger Pump



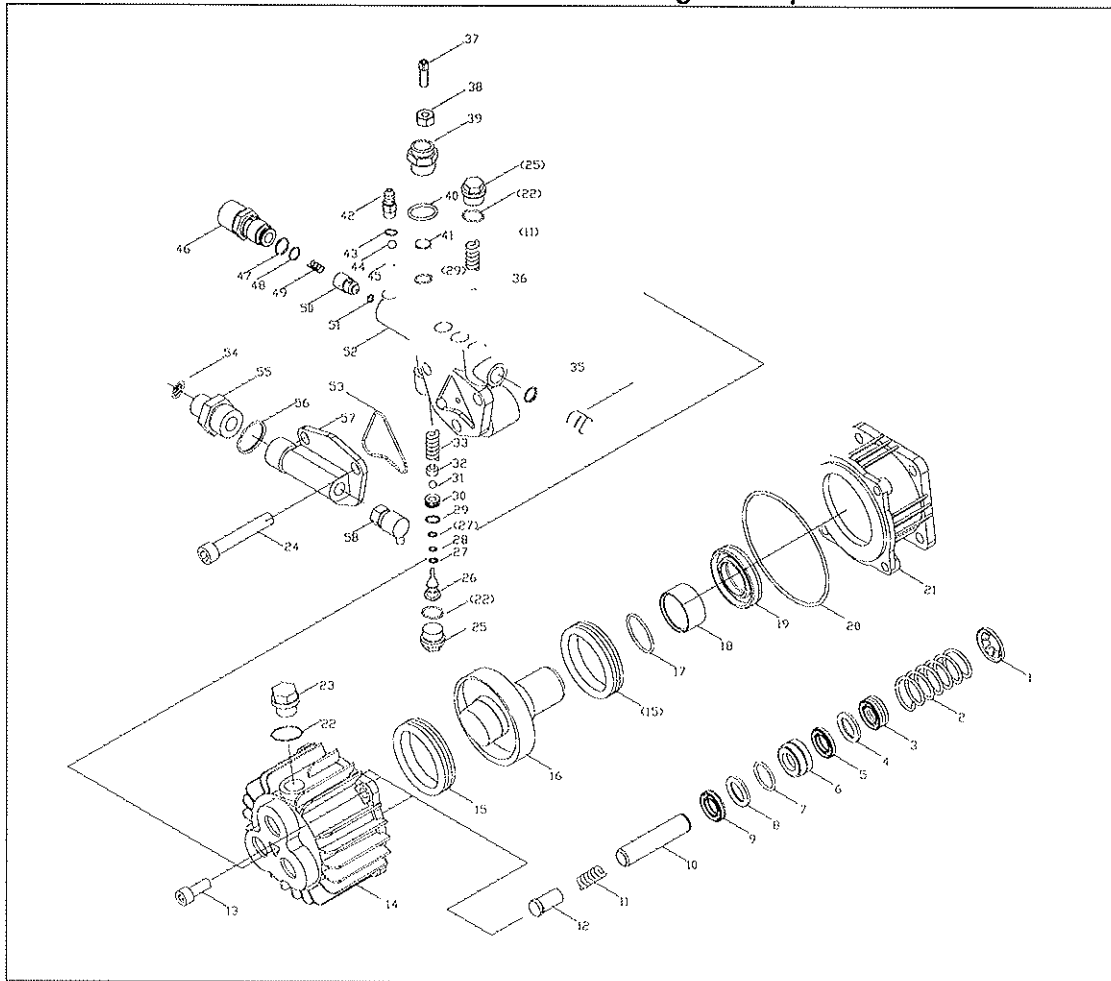
SN	DESCRIPTION	CODE NO.	QTY/UNIT	PART NUMBER
1	Spring Plate	JDPW24/2.2-13	3	770083
2	Piston Spring	JDPW24/2.2-12	3	770083
3	Oil Seal 15×24×6	JDPW24/2.2-34	3	770083
4	Washer	JDPW(M)24/2.2-5	3	770083
5	Seal Washer	Q3WFH(4)150-1-24	3	770083
6	Packing Supt	JDPW24/2.2-9	3	770083
7	O-Ring 21.2×1.8	GB/T3452.1-1992	3	770083
8	Washer	JDPW(M)24/2.2-4	3	770083
9	Water Seal	JDPW24/2.2-8	3	770083
10	Plunger	JDPW24/2.2-14	3	770083
11	Valve Spring	JDPW24/2.2-6	6	770083

JDPW24/2.2 Three-Plunger Pump



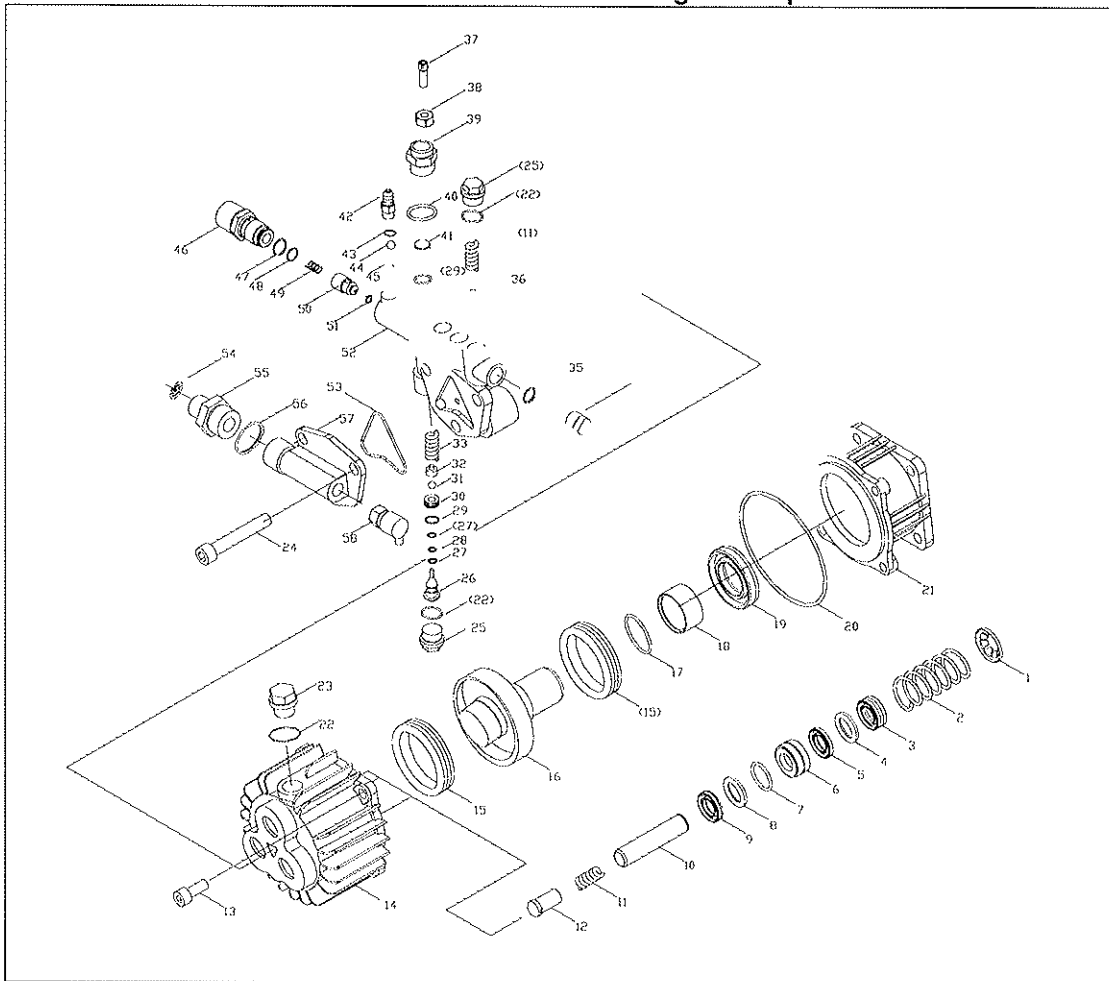
SN	DESCRIPTION	CODE NO.	QTY/UNIT	PART NUMBER
12	Inlet Valve Core	JDPW24/2.2-3	3	770083
13	Screw m 8×20 Zinc8.8grade	GB.T70.1-2000	4	770083
14	Black Housing	JDPW24/2.2-15	1	770083
15	Thrust Bearing 35×37×68×21	JDPW24/2.2-35	2	770083
16	Wobble Plate	JDPW24/2.2-16	1	770083
17	O-Ring 30×1.8	GB/T3452.1-1992	1	770083
18	Oil Seal Sleeve	JDPW24/2.2-18	1	770083
19	Oil Seal B35528 (Fluo-Rubber)	GB13871-1992	1	770083
20	O-Ring 85×2.65	GB/T3452.1-1992	1	770083
21	Flange	JDPW24/2.2-17	1	770083

JDPW24/2.2 Three-Plunger Pump



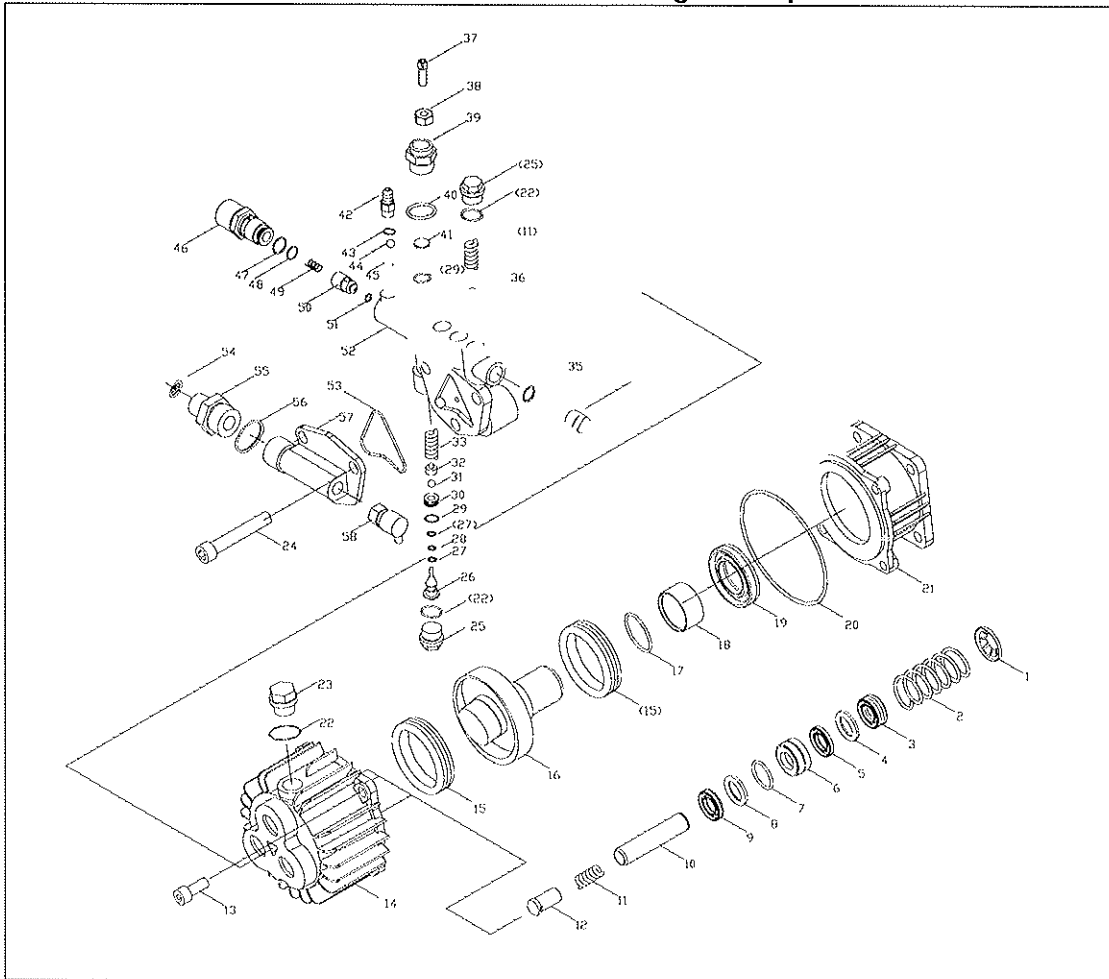
SN	DESCRIPTION	CODE NO.	QTY/UNIT	PART NUMBER
22	O-Ring 13.2×1.8	GB/T3452.1-1992	5	770083
23	Vent Plug	JDPW24/2.2-10	1	770083
24	Screw m10×70 Zinc 10.8grade	GB.T70.1-2000	3	770083
25	Plug	JDPW24/2.2-7	4	770083
26	Nether Piston	JDPW24/2.2-29	1	770083
27	Backup Ring	JDPW24/2.2-28	2	770083
28	O-Ring 6×1.8	GB/T3452.1-1992	1	770083
29	O-Ring 9×1.8	GB/T3452.1-1992	2	770083
30	Steel Ball Seat	JDPW24/2.2-30	1	770083
31	Steel Ball 8/9cr18	GB308-77	1	770083
32	Steel Ball Cap	JDPW24/2.2-31	1	770083

JDPW24/2.2 Three-Plunger Pump



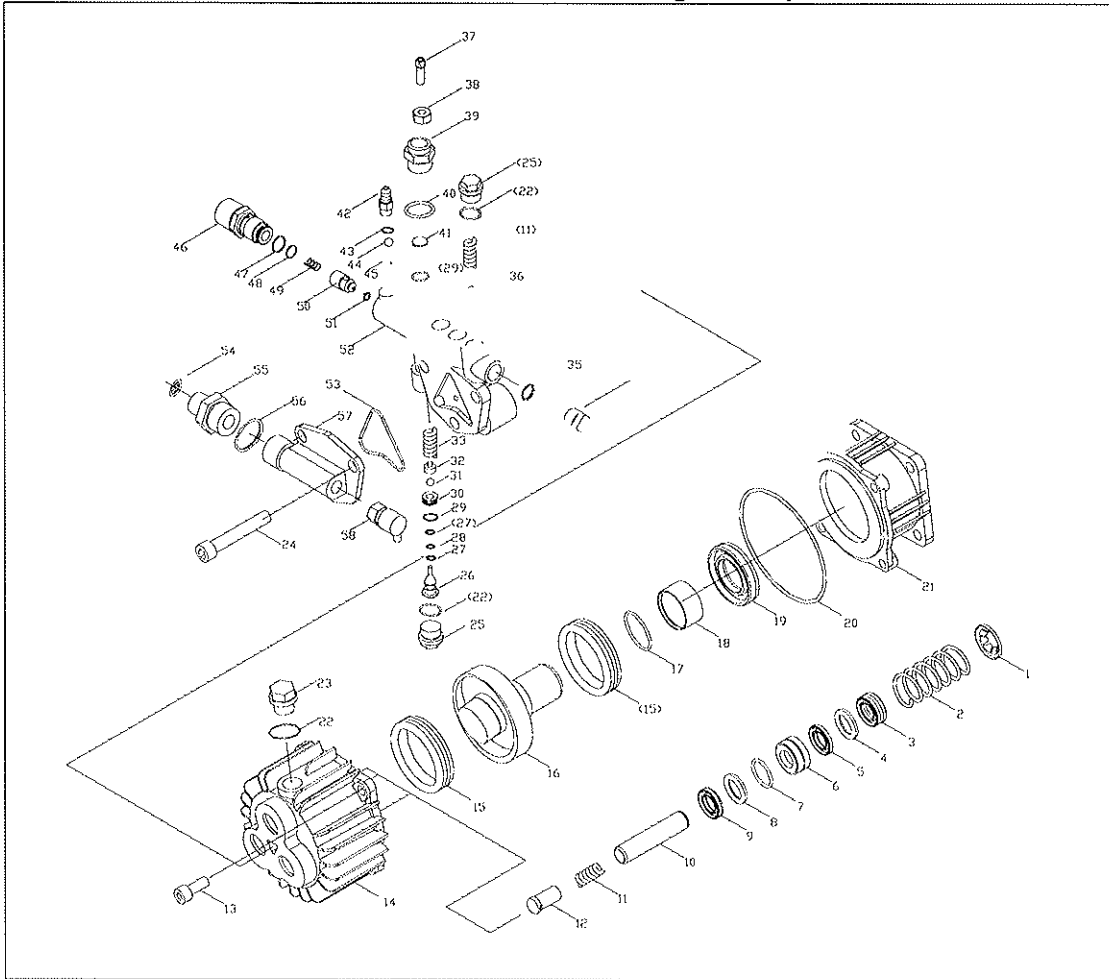
SN	DESCRIPTION	CODE NO.	QTY/UNIT	PART NUMBER
33	Regulating Pressure Spring	JDPW24/2.2-32	1	770083
34	Screw Plug	JDPW24/2.2-27	1	770083
35	Gasket 6×12×2- (1)	GB20-75	1	770083
36	Outlet Valve Core	JDPW24/2.2-5	3	770083
37	Screw M6×16 Zinc	GB.T70.1-2000	1	770083
38	Nut M6 Zinc	GB.T6170-2000	1	770083
39	Guide	JDPW24/2.2-26	1	770083
40	O-Ring 16×1.8	GB/T3452.1-1992	1	770083
41	Upper Piston	JDPW24/2.2-25	1	770083
42	Fixed Injector	JDPW24/2.2-22	1	770083

JDPW24/2.2 Three-Plunger Pump



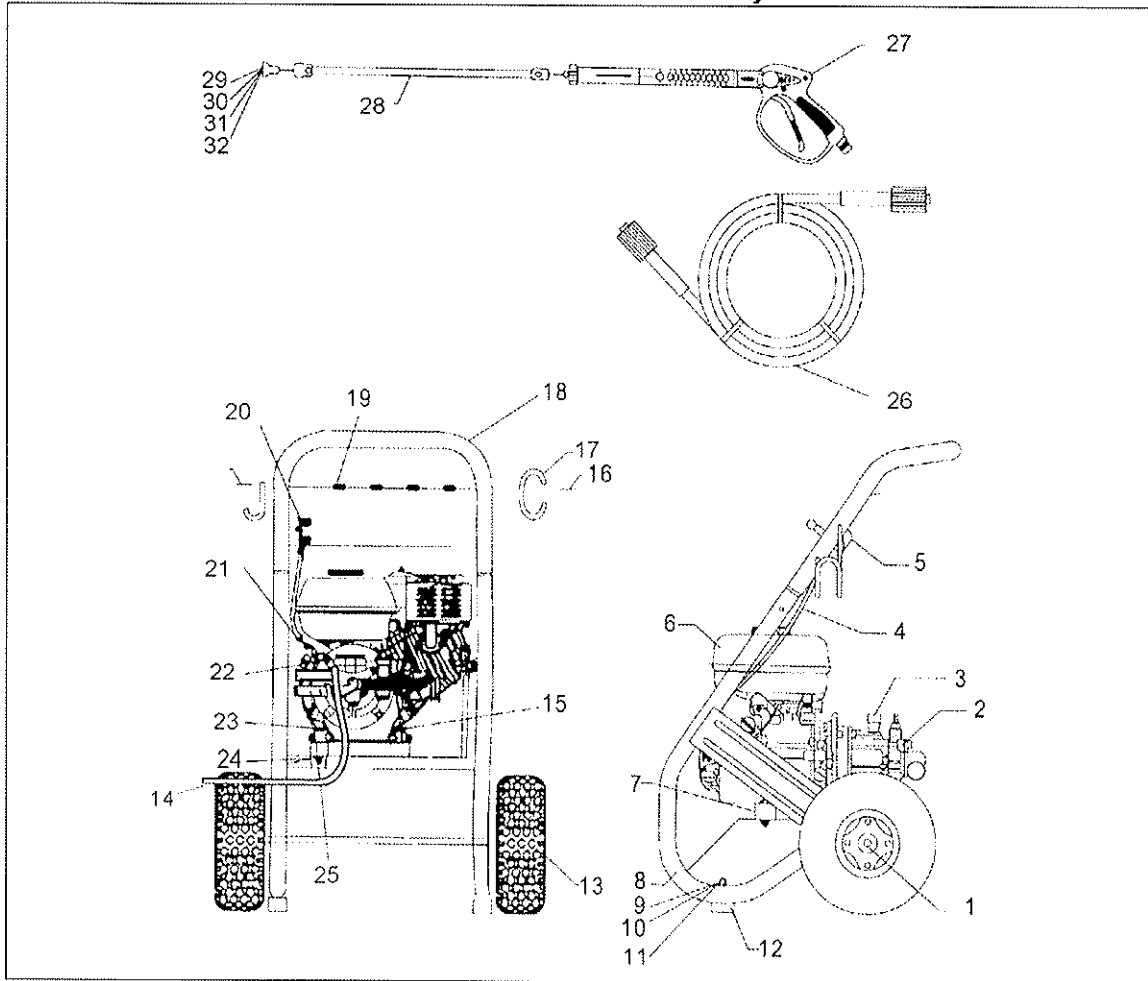
SN	DESCRIPTION	CODE NO.	QTY/UNIT	PART NUMBER
43	O-Ring 4.5×1.8	GB/T3452.1-1992	1	770083
44	Steel Ball 5.5/9cr18	GB308-77	1	770083
45	Small Spring	JDPW24/2.2-21	1	770083
46	Outlet Connector	JDPW(M)24/2.2-1	1	770083
47	O-Ring 15×1.8	GB/T3452.1-1992	1	770083
48	O-Ring 12.5×1.8	GB/T3452.1-1992	1	770083
49	Unilateral Valve Spring	JDPW24/2.2-23	1	770083
50	Unilateral Valve Core	JDPW24/2.2-24	1	770083
51	O-Ring 4×2.65	GB/T3452.1-1992	1	770083
52	Manifold	JDPW24/2.2-2	1	770083

JDPW24/2.2 Three-Plunger Pump



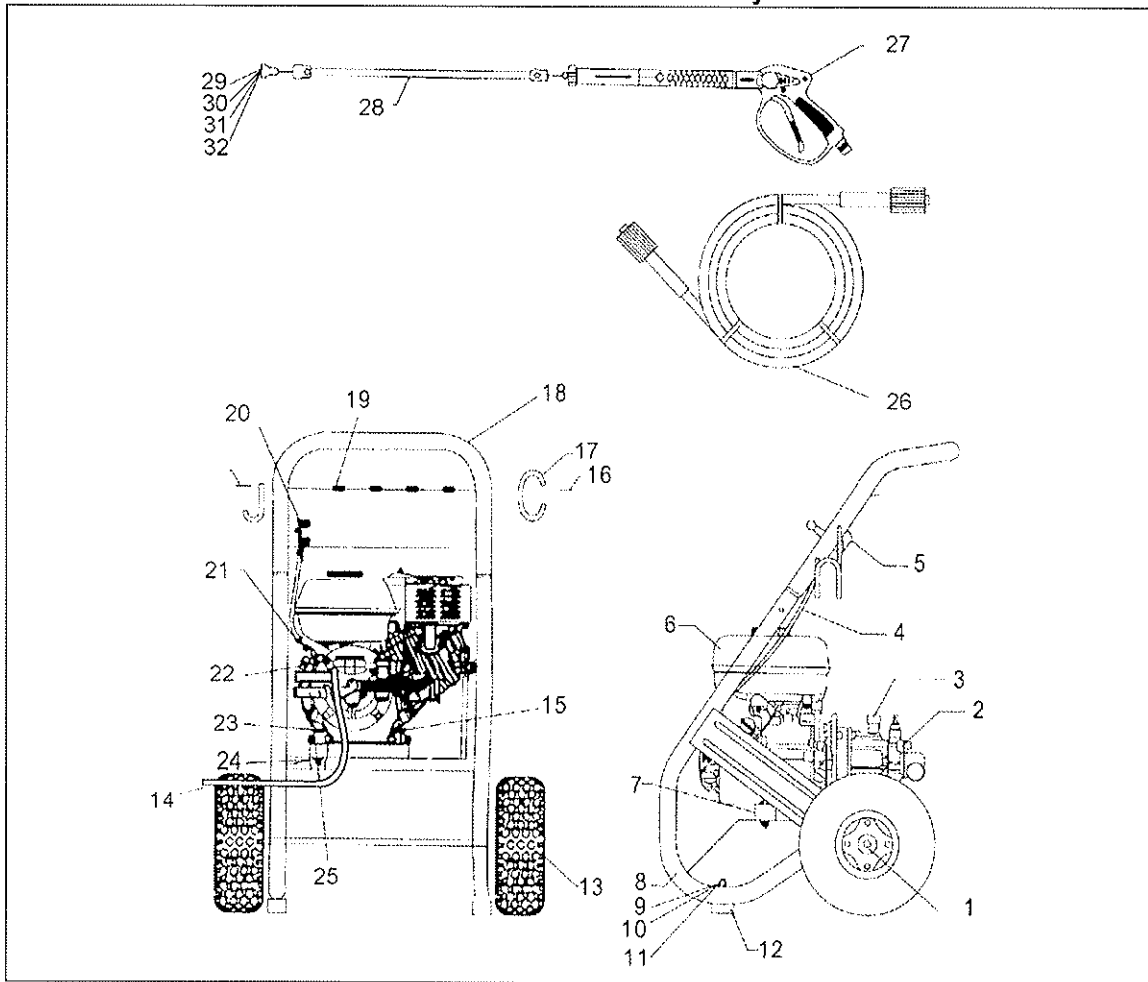
SN	DESCRIPTION	CODE NO.	QTY/UNIT	PART NUMBER
53	Pump Cover Seal Ring	JDPW24/2.2-4	1	770083
54	Inlet Filter Gasket	JDPW(M)24/2.2-6	1	770083
55	Inlet Connector 1	JDPW(M)24/2.2-2	1	770083
56	Little Inlet Gasket	JDPW24/2.2-33	1	770083
57	Pump Cover	JDPW24/2.2-1	1	770083
58	Hot Protection	JDPW24/2.2-36	1	770083

Pressure Washer Assembly



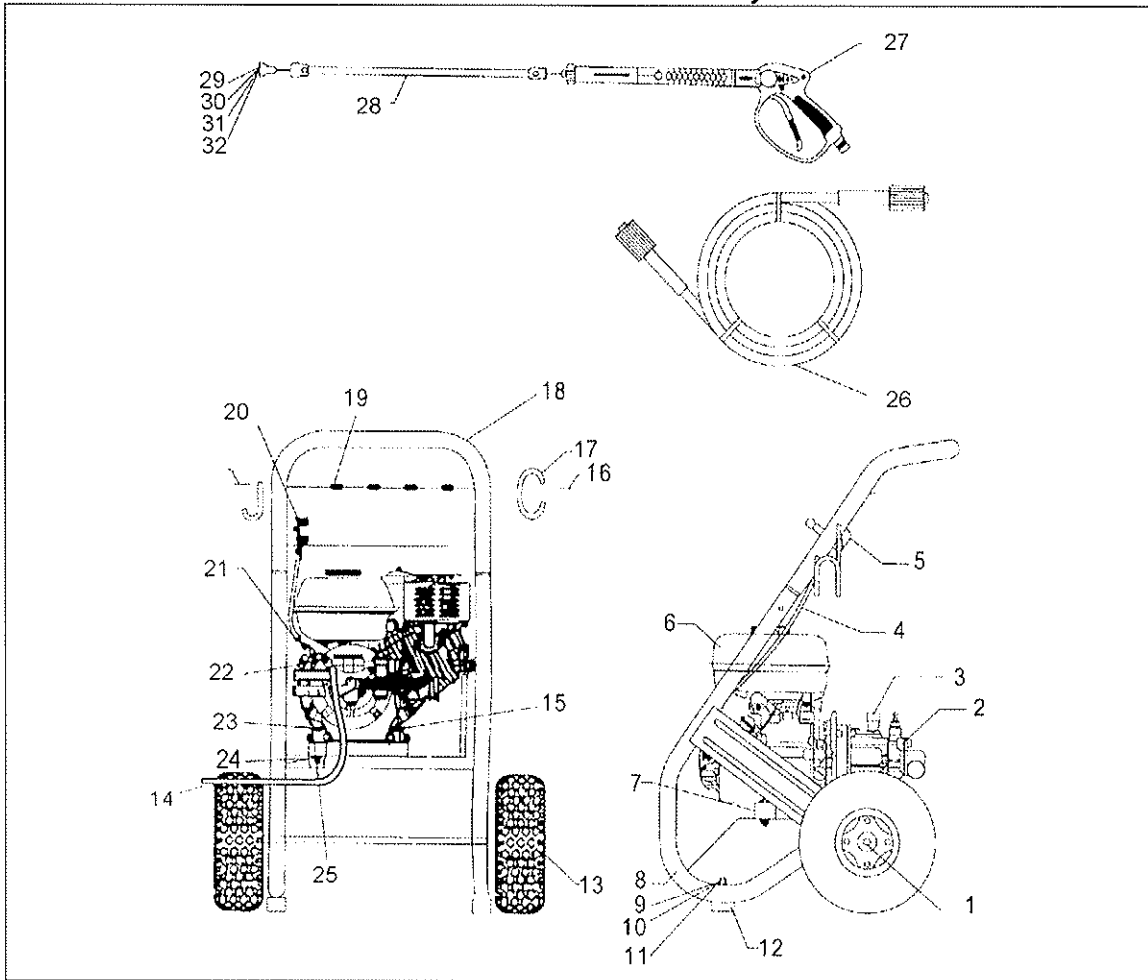
SN	DESCRIPTION	CODE NO.	QTY/UNIT	PART NUMBER
1	Hub Cap	JDCM-170.3-2	2	770069
2	Pump Assembly	JDPW24/2.2	1	770083
3	Cover	JDCM-170-5	1	750309
4	Throttle Cable	JDCM-170.6	1	770067
5	Component Of Accelerator Control Lever	JDCM-170.2	1	7700832
6	Engine	JF168A7	1	750374
7	Isolator	JDCM-170-2	4	750279
8	Carriage	JDCM-170.1-1	1	7700832
9	Nut M8	GB6177-86	2	7700832
10	Plane Φ8	GB95-85	2	7700832

Pressure Washer Assembly



SN	DESCRIPTION	CODE NO.	QTY/UNIT	PART NUMBER
11	Bolt M8*50	GB5780-86	2	750088
12	Rubber Foot	JDCM-170-1	2	770071
13	Wheel	JDCM-170.3-1	2	770072
14	Chemical Hose	JDCM-170.5-2	1	750308
15	Hose Adapter	JDCM-170-6	1	750310
16	Bolt M5*45	GB5780-86-10	4	750084
17	Vinyl Round Cap	JDCM-170.1-3	1	770073
18	Handle	JDCM-170.1-2	1	770074
19	Grommet	JDCM-170-3	4	750280
20	Hex Nut M5	GB6177-86-	6	750281
21	Clamp	JDCM-170-4	1	750282

Pressure Washer Assembly



SN	DESCRIPTION	CODE NO.	QTY/UNIT	PART NUMBER
22	Oil Fill Pump Cap	JDCM-170-7	1	770075
23	Bolt M8*50	GB5780-86-11	4	750088
24	Nut M8	GB6177-86-4	4	750284
25	Whip Hose	JDCM-170.5-2	1	770076
26	Hose	JDCM-170.5-1	1	770077
27	Gun Assy.	JDCM-170.4-1	1	770078
28	Wand Quick Disconnect	JDCM-170.4-2	1	750283
29	Nozzle Black	JDCM-170.4-3	1	770079
30	Nozzle Red	JDCM-170.4-4	1	770080
31	Nozzle Yellow	JDCM-170.4-5	1	770081
32	Nozzle White	JDCM-170.4-6	1	770080
NI	Axle	JDCM-170.3	2	770192